

S P E C I F I C A T I O N S

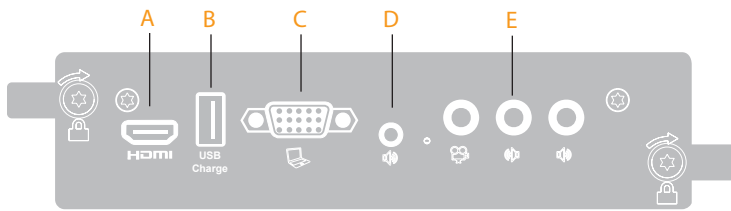
TA-8930 | MediaHub TL with TruLink® Technology

Feature-Rich, Single-HDMI Connectivity Panel provides hotel guests an auto-sensing, auto-switching access point for plugging their portable media devices to the in-room HDTV and sound system. Guests use MediaHub TL to enjoy their own movies, videos, music, games, photos, and even business presentations through the in-room TV. TruLink technology provides IP control, remote manageability and usage reporting.

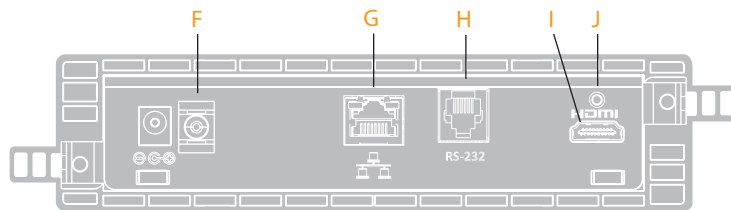


- All-in-one audio/video connectivity panel for connecting any portable media device to the in-room HDTV.
- Truly plug-and-play, automatically senses guest device, switches TV to AUX HDMI input and switches TV back to regular programming when device is disconnected.
- Single-HDMI connectivity to the TV with Auto-Input-Switching and Auto-TV-Power-On via CEC specifications, compatible with hospitality's most popular TV brands.
- Internet-ready capabilities for remote management through SNMP network, firmware updates through FTP (updates 10,000 units in 30 seconds), and custom authentication options.
- Supports serial control for Auto-Input-Switching with hospitality TVs without CEC as well as hospitality's most popular VOD/PPV systems.
- Network-based guest usage reporting for property ROI analysis.
- Charges portable electronic devices through USB power port.
- Designed to mount in or under desks, nightstands or other casegoods.
- POE version available.
- Can be deployed worldwide.

TA-8930 | MediaHub TL with TruLink® Technology

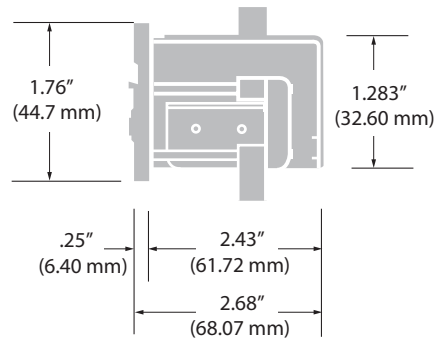


Front of Panel (without faceplate)



Rear Installation Connections

7.19" (182.70 mm)



Guest-Facing Device Inputs

- A** HDMI In
- B** USB Charge 5a/5v
- C** VGA (RGB)
- D** 3.5mm Audio In
- E** Composite AV In

Rear Installation Connections

- F** Power Input
- G** Network LAN In/Out (RJ45)
- H** RS232 In/Out (RJ25)
- I** Single-HDMI Output
- J** HDMI Cable Security Screw

TV/STB Requirements

Inputs Required on TV or VOD STB

- HDMI
- Serial Control, Optional (RJP, DB9, RS232, 3.5mm Serial, GAME/D ATA, or ExLink)

Power Requirements

- 100-240V, 50/60Hz, 0.8A, AC Outlet
- POE version available by special order

Installation Cables Included

- HDMI (3.5m / 11.5ft)
- CAT5 (3m / 10ft)
- Wall Wart Power (2m/6ft, fixed)
- RS232/RJP, Optional (3.5m / 11.5ft)

Cutout Dimensions (HxW)

- 1.30 x 7.10 in (34.0 x 180.0mm)
- Depth Allowance: 3in (76.2mm)
- Cutout Stencil available at www.teleadapt.com

Approvals and Certifications

ETL, CE, CB, FCC

Single-HDMI, Scaler Technology

Automatically upscales composite video signals up to 1920 x 1080p, while displaying native HDMI digital video signals up to 1920 x 1080p. Also supports screen resolutions of up to 1280 x 1024 through the VGA input.

Network Manageability

Supports LAN remote manageability for TCP-IP enabled firmware updates, property-wide room-by-room monitoring and guest usage reporting.

Compatible with ANY HDTV

MediaHub TL is compatible with any TV with an available HDMI port and TV-switching is done manually using the remote control.

Auto-Input-Switching and Auto-Device-Sensing

MediaHub TL will automatically sense when a guest plugs in a device and switch the TV to the TV's HDMI AUX Input. Auto-Input-Switching is supported by hospitality's most popular TV makers and VOD/PPV providers. For a list of compatible TVs and STBs in your region, please contact your TeleAdapt sales representative.

Auto-device-sensing detects new devices and switches between MediaHub inputs.

Compatible with ANY HDTV

MediaHub TL is also compatible with any TV with an available HDMI port and TV-switching is done manually using the remote control.

CEC Compliant for Hospitality

When paired with HDTVs compliant with CEC for Hospitality, MediaHub TL will automatically turn on the TV upon device plug in, seamlessly switch the TV to the HDMI AUX TV input and switch back to regular TV programming upon unplugging the device.

USB Charging

USB 5V power socket provides a convenient way for charging portable electronics.

Mounting Options

MediaHub TL is designed to be mounted in desks, nightstands and other casegoods. Cutout stencils are available at www.teleadapt.com.

POE model available for in-wall installations.

Faceplate Options

- Piano Black
- Matte Black
- Modern Black
- Pearl White

Warranty

1 year



Visit our website at: www.teleadapt.com

Keeping Your World Connected™ and MediaHub Active™, are trademarks of TeleAdapt, Inc. iPod® and iPhone® are registered trademarks of Apple Inc., registered in the U.S. and/or other countries.